

342

B42



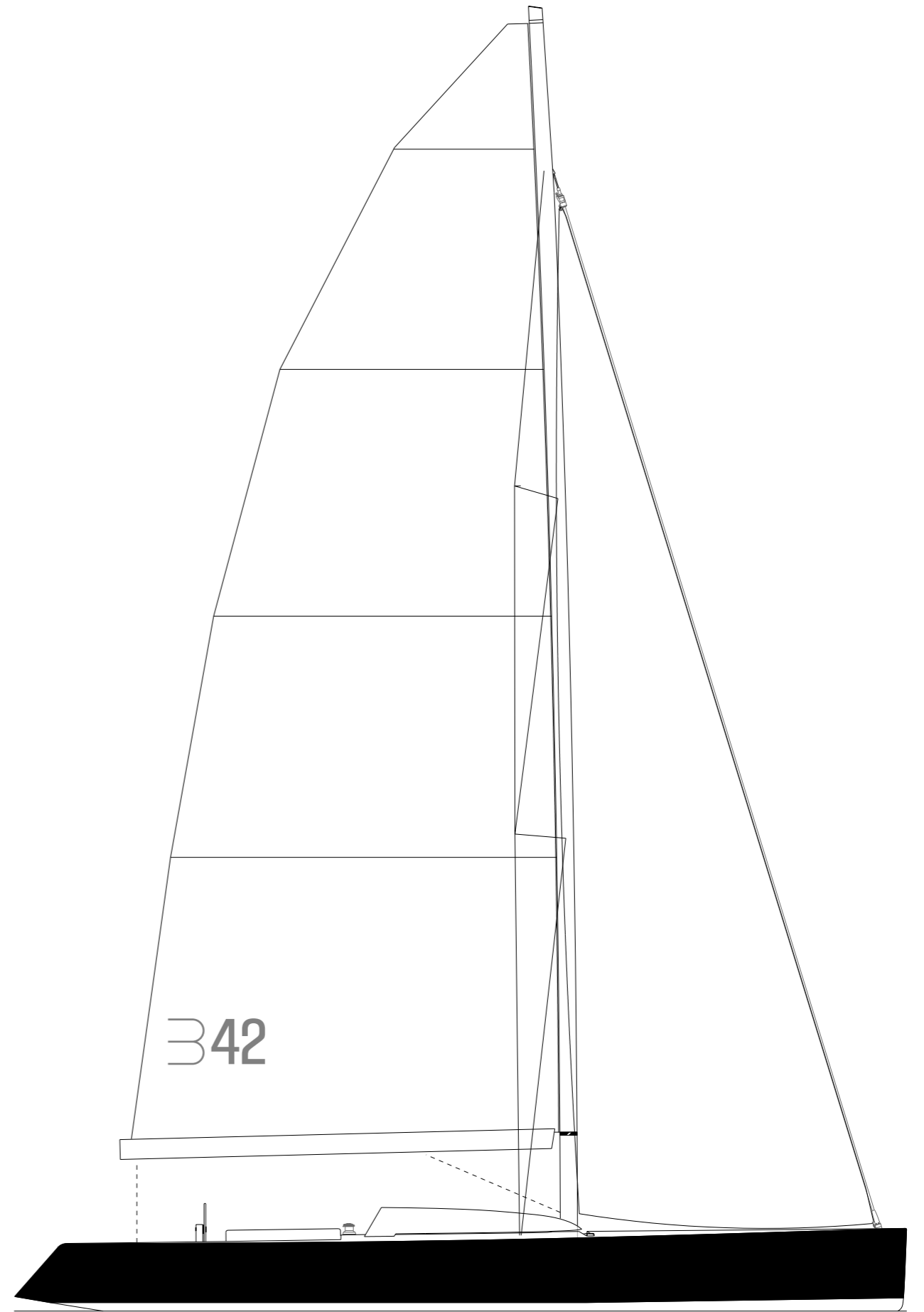
B42

Lenght O.A	12.80 m
Max Beam	3.10 m
Draft	2.40 m
Displacement	5.600 kg
Ballast	3.000 kg
Main Sail Areal	65 mq
Jib Area	35 mq
Fuel Capacity	100 Lt
Water Capacity	100 Lt
Design	Luca Brenta Yacht Design
Certification	CE
Speed (Engine)	8 knots
Propulsion	Volvo D1 27 HP/diesel inboard Saildrive engine
Propeller	2 blades folding
Service Battery	12V 315 amps
Engine Battery	12V 105 amps
Deck Winches	Two Electric Harken B50.2 winches 2 Speeds
Deck Gear	Harken/Spinlock
Cleats	N. 4 Folding
Mast	Carbon- two spreaders
Boom	Alluminum Boom/ options V-boom or Lesiure Furling
Hydraulic Piston	Cariboni Power Pack Mainsail +Vang +Traveller + Jib Sheet
Construction	Composite carbon fibre over Corecell foam of various densities Rudder S.S. + Jeffa self-aligning bearings Keel Blade - Cast Iron Bulb - Lead

B42



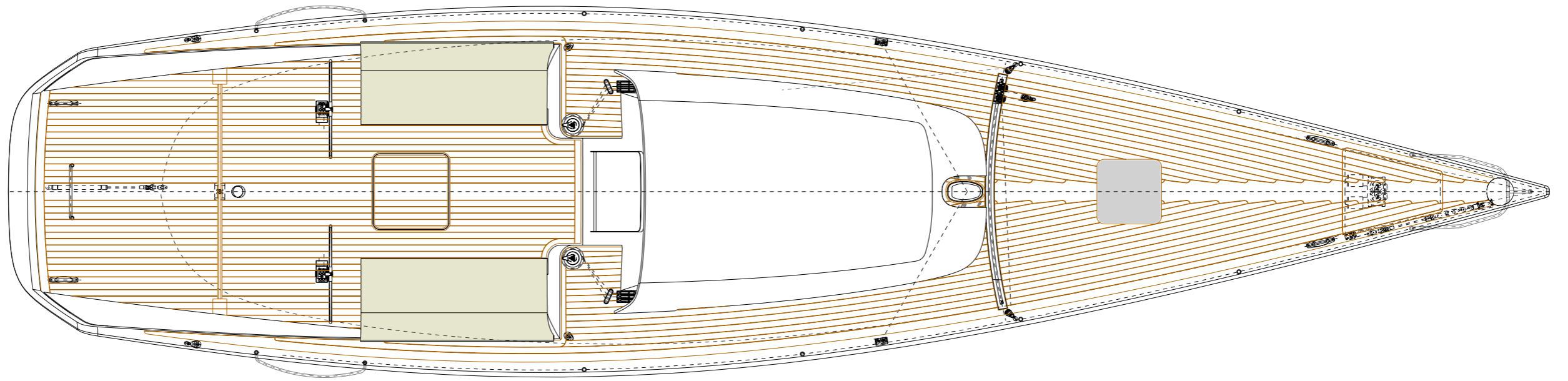
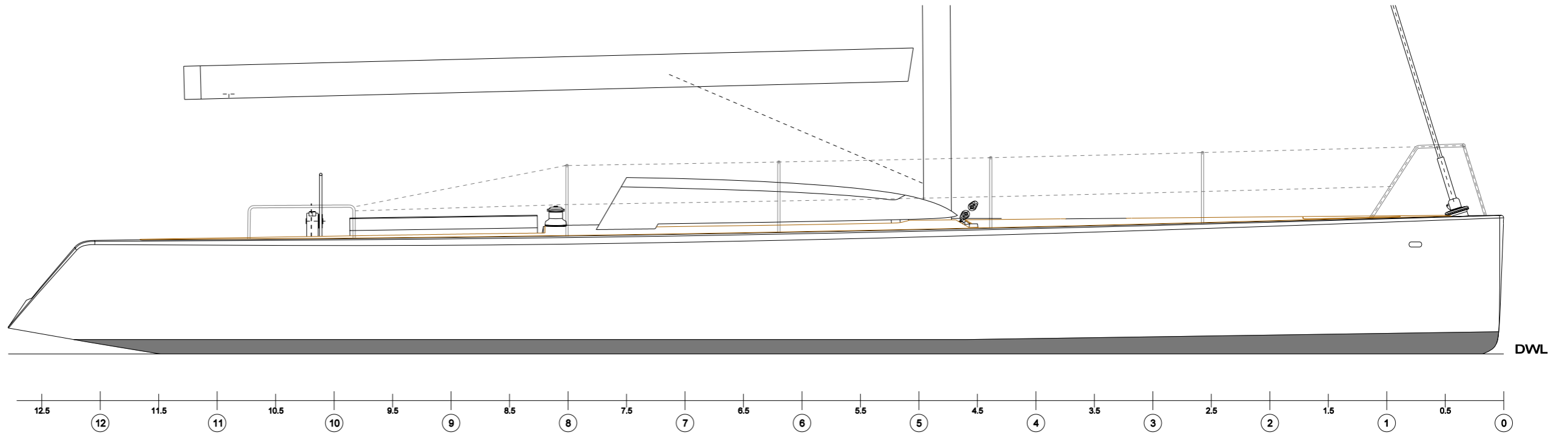
342



B42



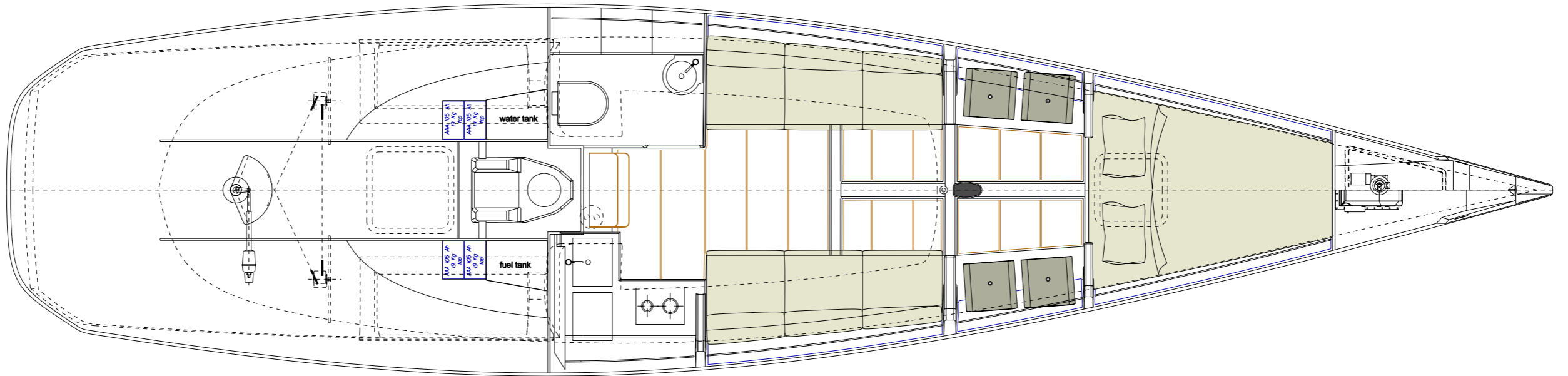
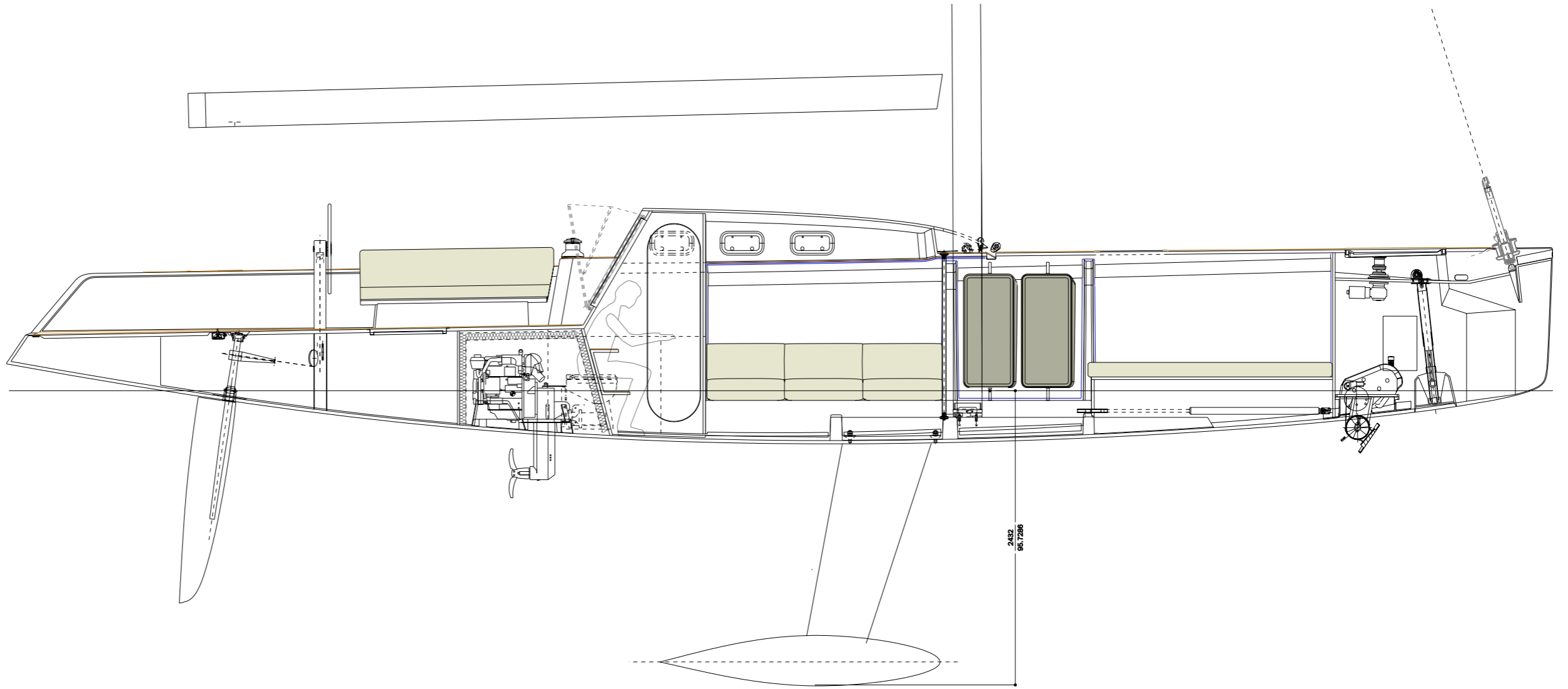
B42



B42



B42



342



B-yachts.com